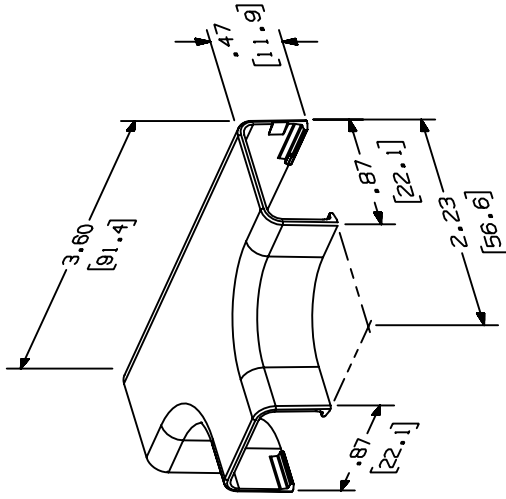


THIS COPY IS PROVIDED ON A RESTRICTED BASIS AND IS NOT TO BE USED IN ANY WAY DETRIMENTAL TO THE INTERESTS OF PANDUIT CORP.

PANDUIT PART NO.	WEIGHT
TFC3	1.8 LB/100 PCS (822 g/100 PCS)



NOTES:

- SEE CURRENT CATALOG FOR ADDITIONAL PART NUMBER SUFFIXES TO INDICATE COLOR AND OR PACKAGE QUANTITY.
- THIS PRODUCT IS INTENDED TO BE USED WITH PANDUIT TYPE LD3 AND LDS3 RACEWAY.
- NOMINAL WALL THICKNESSES: .055(1.4).
- THIS PRODUCT IS FEATURED WITH THE TIA/EIA COMPLIANT BEND RADIUS.
- DIMENSIONS IN PARENTHESIS ARE IN METRIC.



CAD FILENAME/LAYERS D35541BM_TFC3_C_02.PRT

PANDUIT

CORP. TINLEY PARK, ILLINOIS

TEE FITTING COVER (TFC3)
CUSTOMER DRAWING

UNLESS OTHERWISE SPECIFIED, DIMENSIONAL TOLERANCES ARE:
(.X) ± (.XXX) ±.015 (.4)
(.XX) ±.03 (.8) ANGLES ±

UNLESS OTHERWISE SPECIFIED, ALL DIMENSIONS ARE GIVEN IN INCHES, THIRD ANGLE PROJECTION.

DRAWN BY JBA MAT'L: ABS

SCALE NONE

DATE 08-09-96

ABS

DRAWING NO. 35541-15

DWG A



SIZE

DESCRIPTION

ECN CHK CUST SUP

CHECKED BY CEF

DATE

DRAWING NO.

SIZE

2 03-11-04 JHEP RGRO B. REMOVED CD3 FROM NOTE 2

35541-15 RGRO

RGRO

DATE

DRAWING NO.

SIZE

1 07-02-02 JHNU RMH1 A. REVISED MATERIAL IN DRAWING TITLE BLOCK

35541-15 RGRO

RGRO

DATE

DRAWING NO.

SIZE

R 08-09-96 JBA CEF RELEASED TO PRODUCTION

35541-15 CEF

CEF

DATE

DRAWING NO.

SIZE

REV DATE BY CHK

ECN CHK CUST SUP

DATE

DRAWING NO.

SIZE

+

+